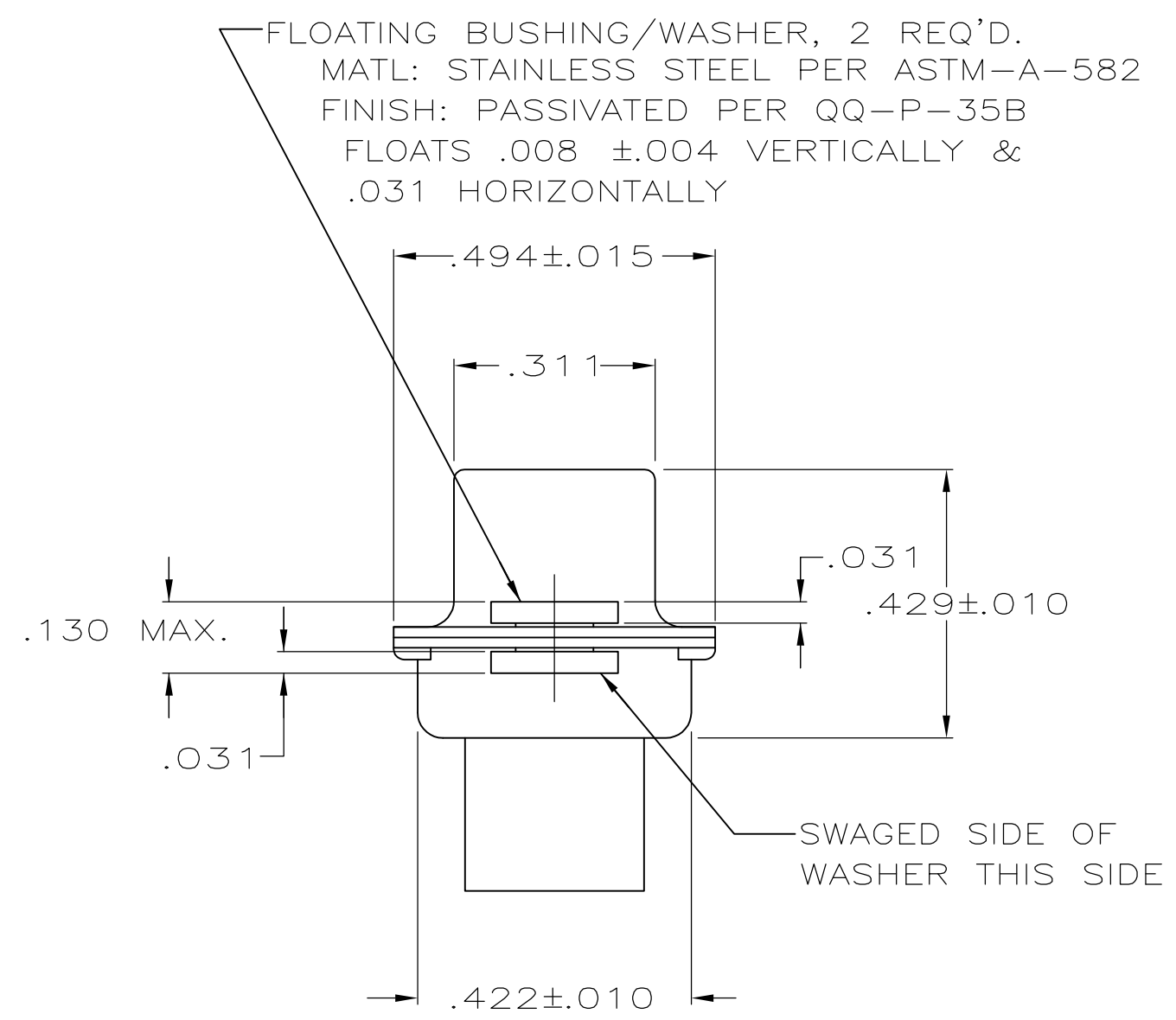
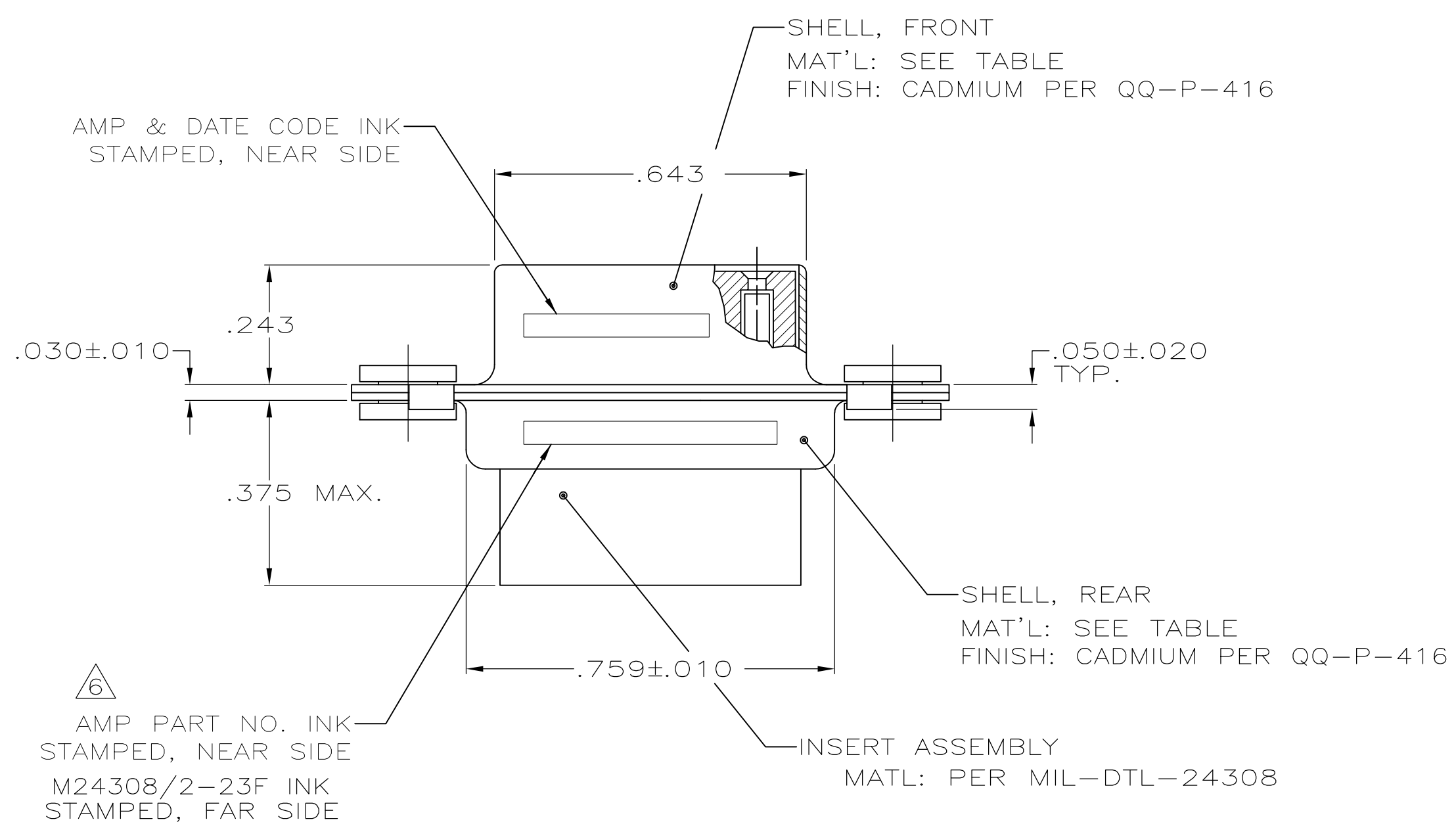
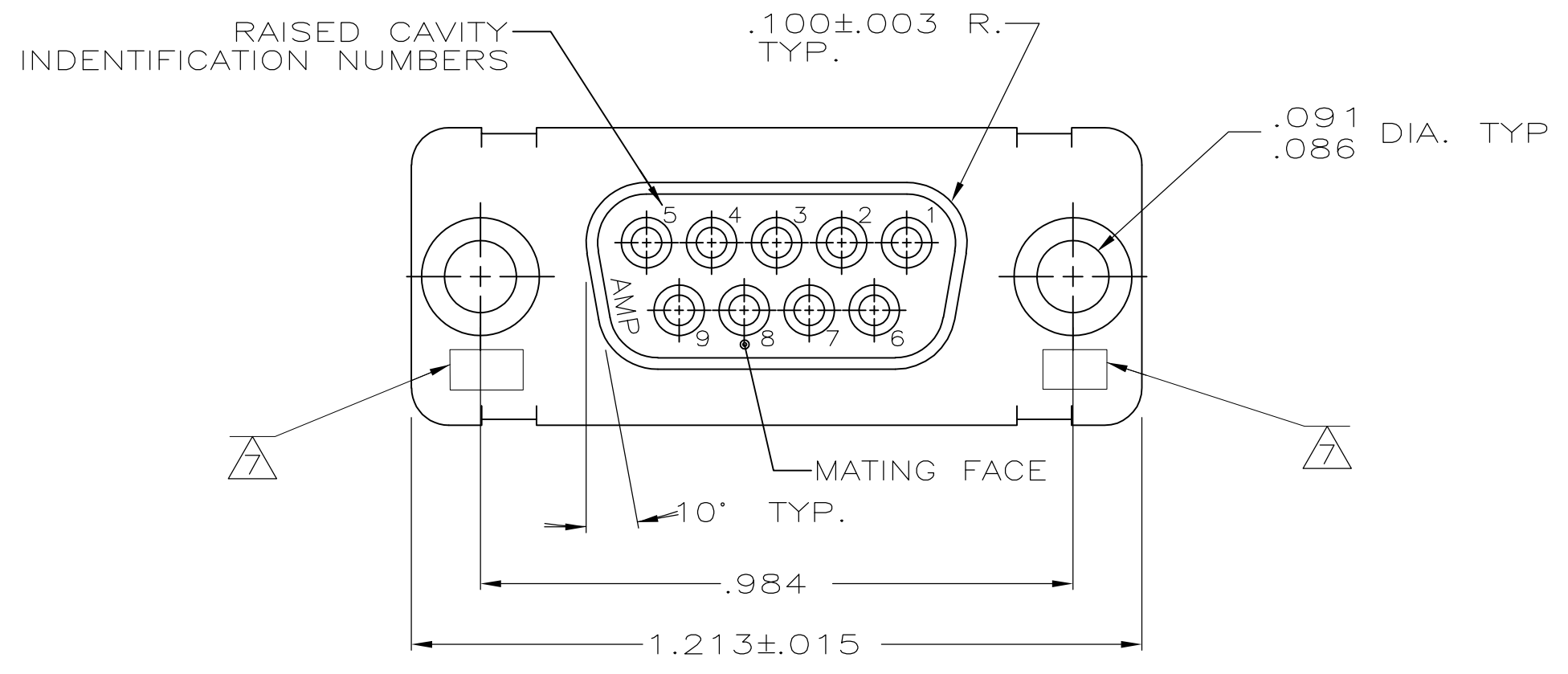


THIS DRAWING IS UNPUBLISHED. RELEASED FOR PUBLICATION  
 © COPYRIGHT - By - ALL RIGHTS RESERVED.

LOC		DIST		REVISIONS			
P	LTR	DESCRIPTION	DATE	DWN	APVD		
	N	REV PER ECO-15-016062	10NOV15	KG	CD		



1. THIS RCPT. IS DESIGNED TO CONFORM TO THE LATEST ISSUE OF MIL-C-24308
  2. MAX WIRE INSUL TO BE USED WITH THIS RCPT IS .068 DIA
  3. STAINLESS STEEL RETENTION CLIPS ARE INCLUDED IN INSERTS
  4. PACKAGE STAMPED M24308/2-292F
  5. THIS RCPT. WILL ACCEPT SIZE 20 SOCKET CONTACT M24308/10 OR AMP # 205090
- (6) AMP PART NO. STAMPED ON CONNECTOR REPRESENTS KIT NUMBER WITH CONTACTS  
 (7) UL/CSA DESIGNATION STAMPED IN THIS AREA.

OBSOLETE	BRASS	205416-2
	STEEL PER ASTM-A-109	205416-1
	SHELL MAT'L	PART NUMBER

THIS DRAWING IS A CONTROLLED DOCUMENT.		DWN	C.C.THOMAS	12-9-87	TE Connectivity		
DIMENSIONS: INCHES		CHK	FC BALLEW III	12-10-87	AMPLIMITE RCPT FOR SOCKET CONTACTS HI-DENSITY HDM-20 CONNECTOR SIZE 1 (9 POS) SERIES 109 WITH FLOAT BUSHINGS		
TOLERANCES UNLESS OTHERWISE SPECIFIED:		APVD			SIZE	CAGE CODE	DRAWING NO
0 PLC	± -	PRODUCT SPEC			A2	00779	C=205416
1 PLC	± -	APPLICATION SPEC			SCALE	SHEET	REV
2 PLC	± -				4:1	1 of 1	N
3 PLC	± .005						
4 PLC	± -						
ANGLES	± 0'30"						
MATERIAL	FINISH	WEIGHT					
SEE CALLOUTS	SEE CALLOUTS						
CUSTOMER DRAWING							